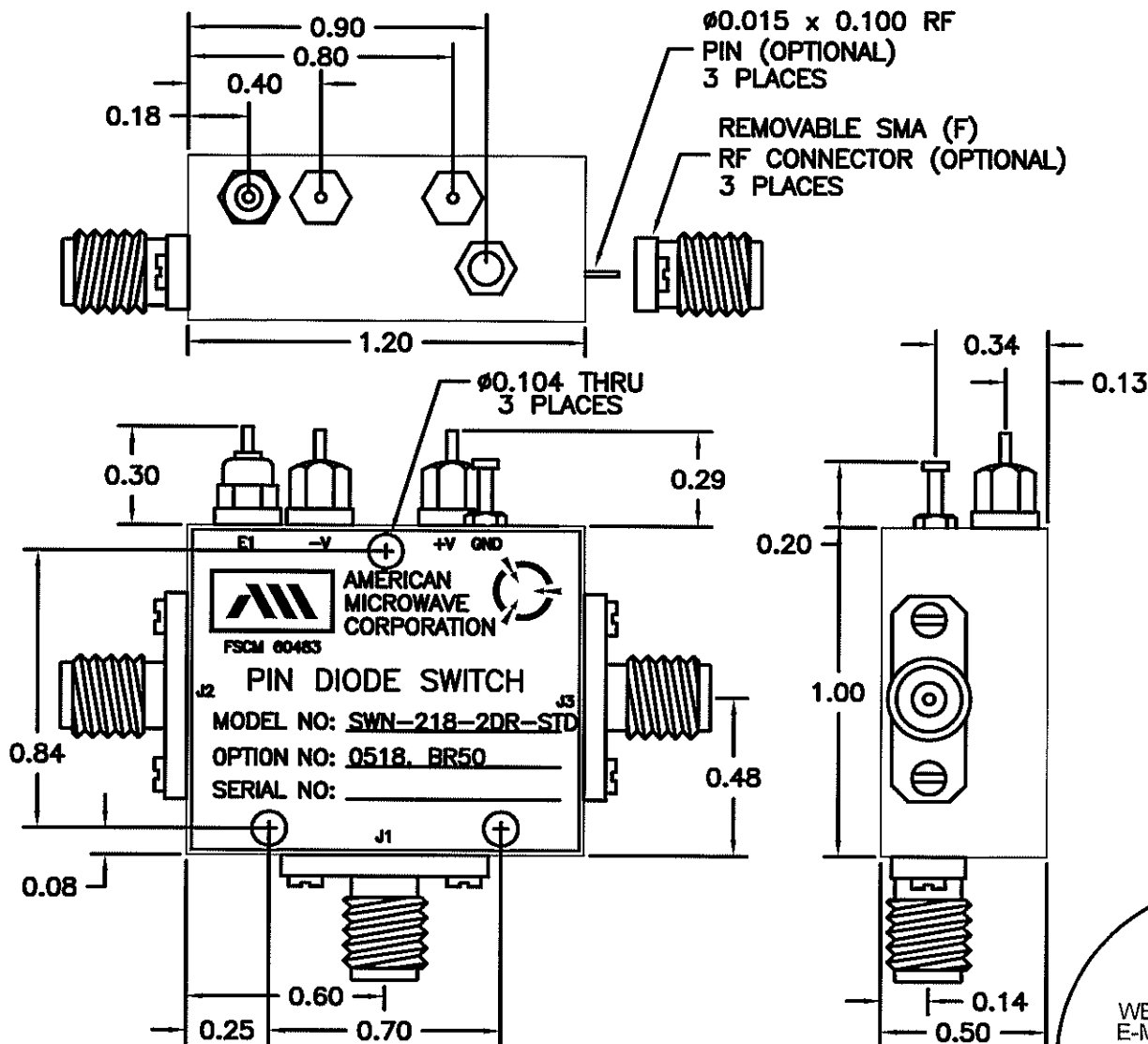


**DESCRIPTION**

AMC MODEL SWN-218-2DR-STD OPTION 0518, BR50 IS A SINGLE POLE TWO THROW REFLECTIVE SWITCH MODULE WITH A 0.5 TO 18GHz FREQUENCY RANGE AND BALANCED RISE/FALL TIMES.



**MECHANICAL OUTLINE**

ALL DIMENSIONS ARE IN INCHES  
TOLERANCES:  
XXX ±0.020  
XXX ±0.010

**AMERICAN MICROWAVE CORPORATION**

7311-G GROVE ROAD  
FREDERICK, MARYLAND 21704 USA  
TEL: 301-662-4700 FAX: 301-662-4938  
WEBSITE: [www.americanmicrowavecorp.com](http://www.americanmicrowavecorp.com)  
E-MAIL: [sales@americanmicrowavecorp.com](mailto:sales@americanmicrowavecorp.com)  
ISO 9001:2000 CERTIFIED



|           |       |        |      |   |      |      |      |
|-----------|-------|--------|------|---|------|------|------|
| APPROVALS |       | DATE   |      | TITLE                                       |      |      |      |
| DESIGN    |       | 1/9/08 |      | MECHANICAL OUTLINE                          |      |      |      |
| DRAWN     |       | 1/9/08 |      | SWN-218-2DR-STD                             |      |      |      |
| CHECKED   |       |        |      | OPTION 0518, BR50                           |      |      |      |
| ISSUED    |       |        |      | 0.5 TO 18 GHz, SINGLE POLE TWO THROW SWITCH |      |      |      |
| REV.      | DATE  | REV.   | DATE | REV.  | DATE | REV. | DATE |
| A         | 60483 |        |      | 100-4427-129                                |      | -    |      |
| SCALE N:S |       |        |      | SHEET 2 OF 4                                |      |      |      |

**DESCRIPTION**

AMC MODEL SWN-218-2DR-STD OPTION 0518, BR50 IS A SINGLE POLE TWO THROW REFLECTIVE SWITCH MODULE WITH A 0.5 TO 18GHz FREQUENCY RANGE AND BALANCED RISE/FALL TIMES.

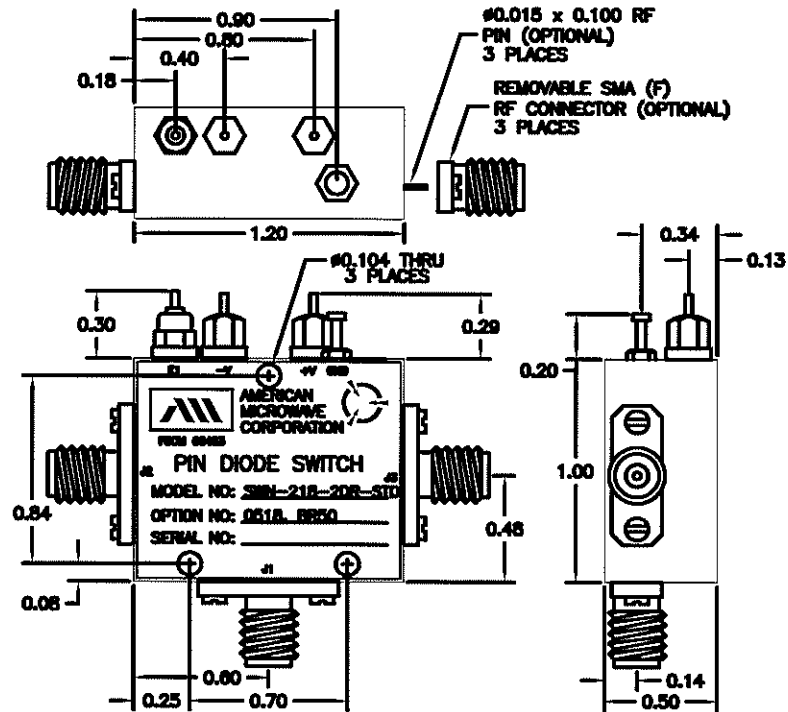
**SPECIFICATIONS**

- FREQUENCY RANGE: .....0.5 TO 18 GHz
- INSERTION LOSS: .....2.5 dB MAXIMUM
- ISOLATION: .....0.5 GHz TO 18 GHz: 60 dB MINIMUM
- VSWR: .....2.0:1
- RISE TIME: .....50 nSec MAXIMUM
- FALL TIME: .....50 nSec MAXIMUM
- POWER INPUT: .....(CW)+20 dBm
- SURVIVAL POWER: .....1 WATT CW, 10 WATTS PEAK 1 uSec
- CONTROL: .....TTL LOGIC "0" = J1-J2 ON  
TTL LOGIC "1" = J1-J3 ON
- POWER SUPPLY: .....+5V @ 100 mA MAXIMUM  
-5V @ 75 mA MAXIMUM
- CONNECTORS:  
RF: .....SMA FEMALE  
CONTROL: .....SOLDER PIN

**OPTIONS:**

- 0518 .....0.5 TO 18.0GHz FREQUENCY RANGE
- BR50 .....BALANCED RISE/FALL TIME

| REVISIONS |      |                  |        |                    |
|-----------|------|------------------|--------|--------------------|
| ZONE      | REV. | DESCRIPTION      | DATE   | APPROVED           |
| -         | -    | ORIGINAL RELEASE | 1/9/08 | <i>[Signature]</i> |



**ENVIRONMENTAL RATINGS:**

- TEMPERATURE: .....-55°C TO +85°C (OPERATING)  
-85°C TO +125°C (STORAGE)
- HUMIDITY: .....MIL-STD-202F, METHOD 103B COND. B
- SHOCK: .....MIL-STD-202F, METHOD 213B COND. B
- VIBRATION: .....MIL-STD-202F, METHOD 204D COND. B
- ALTITUDE: .....MIL-STD-202F, METHOD 105C COND. B
- TEMPERATURE CYCLE: .....MIL-STD-202F, METHOD 107D COND. A

NOTE: SPECIFICATIONS WILL VARY OVER OPERATING TEMPERATURE  
NOTE: THE ABOVE SPECIFICATIONS ARE SUBJECT TO CHANGE OR REVISION

**AMERICAN MICROWAVE CORPORATION**

7311-G GROVE ROAD  
FREDERICK, MARYLAND 21704 USA  
TEL: 301-662-4700 FAX: 301-662-4938  
WEBSITE: [www.americanmicrowavecorp.com](http://www.americanmicrowavecorp.com)  
E-MAIL: [sales@americanmicrowavecorp.com](mailto:sales@americanmicrowavecorp.com)  
ISO 9001:2000 CERTIFIED



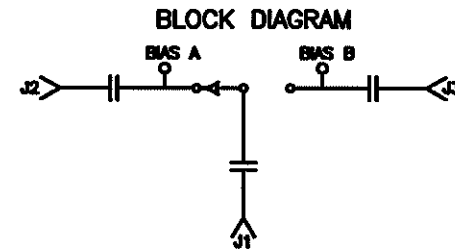
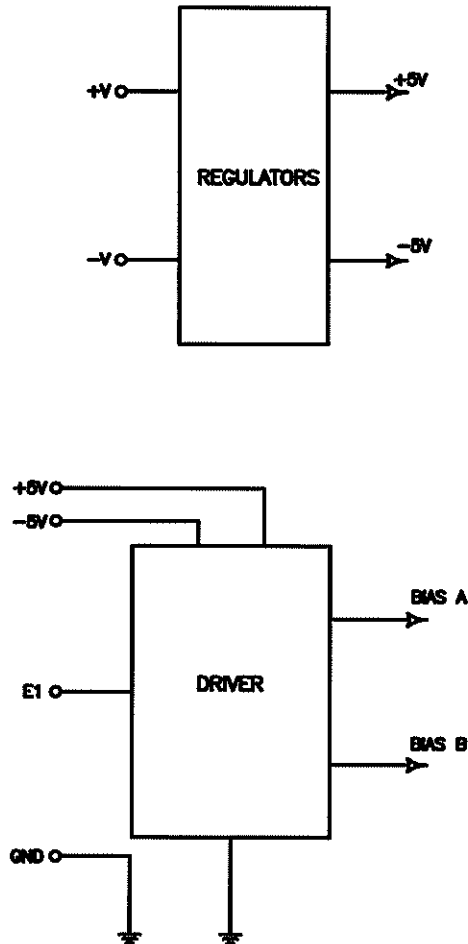
ALL DIMENSIONS ARE IN INCHES  
TOLERANCES:  
X.XX ±0.020  
X.XXX ±0.010  
WEIGHT 1.5 oz. TYPICAL

| APPROVALS                    | DATE   | TITLE                                       |              |        |
|------------------------------|--------|---|--------------|--------|
| DESIGN: <i>JCS</i>           | 1/9/08 | PRODUCT FEATURE                             |              |        |
| MODIFIED: <i>[Signature]</i> | 1/3/08 | SWN-218-2DR-STD<br>OPTION 0518, BR50        |              |        |
| ISSUED:                      |        | 0.5 TO 18 GHz, SINGLE POLE TWO THROW SWITCH |              |        |
|                              |        | SIZE FROM NO.                               | DWG NO.      | REV.   |
|                              |        | A 60483                                     | 100-4427-129 | -      |
|                              |        | SCALE N:S                                   | SHEET        | 1 OF 4 |

**DESCRIPTION**

AMC MODEL SWN-218-2DR-STD OPTION 0518, BR50 IS A SINGLE POLE TWO THROW REFLECTIVE SWITCH MODULE WITH A 0.5 TO 18GHz FREQUENCY RANGE AND BALANCED RISE/FALL TIMES.

**FUNCTIONAL BLOCK DIAGRAM**



**AMERICAN MICROWAVE CORPORATION**

7311-G GROVE ROAD  
 FREDERICK, MARYLAND 21704 USA  
 TEL: 301-662-4700 FAX: 301-662-4938  
 WEBSITE: [www.americanmicrowavecorp.com](http://www.americanmicrowavecorp.com)  
 E-MAIL: [sales@americanmicrowavecorp.com](mailto:sales@americanmicrowavecorp.com)  
 ISO 9001:2000 CERTIFIED



|           |       |        |   |              |
|-----------|-------|--------|---|--------------|
| APPROVALS |       | DATE   | TITLE                                       |              |
| DESIGN    | SCALP | 1/2/08 | FUNCTIONAL BLOCK DIAGRAM                    |              |
| REVISION  | 1/2   | 1/3/08 | SWN-218-2DR-STD                             |              |
| REV.      |       |        | OPTION 0518, BR50                           |              |
| REV.      |       |        | 0.5 TO 18 GHz, SINGLE POLE TWO THROW SWITCH |              |
| REV.      |       |        | REV. FROM NO.                               | REV. NO.     |
| REV.      |       |        | A 60483                                     | 100-4427-129 |
| REV.      |       |        | SCALE N:S                                   | SHEET 3 OF 4 |